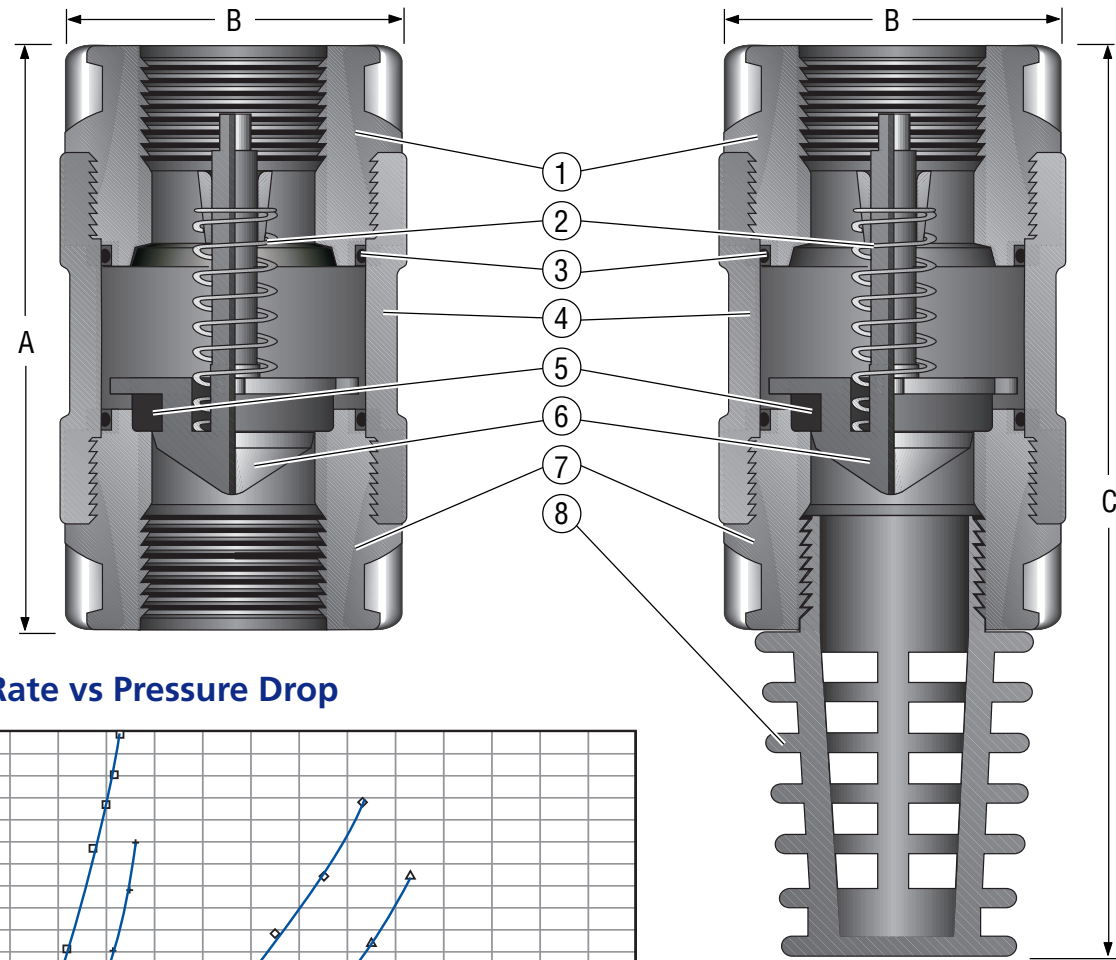
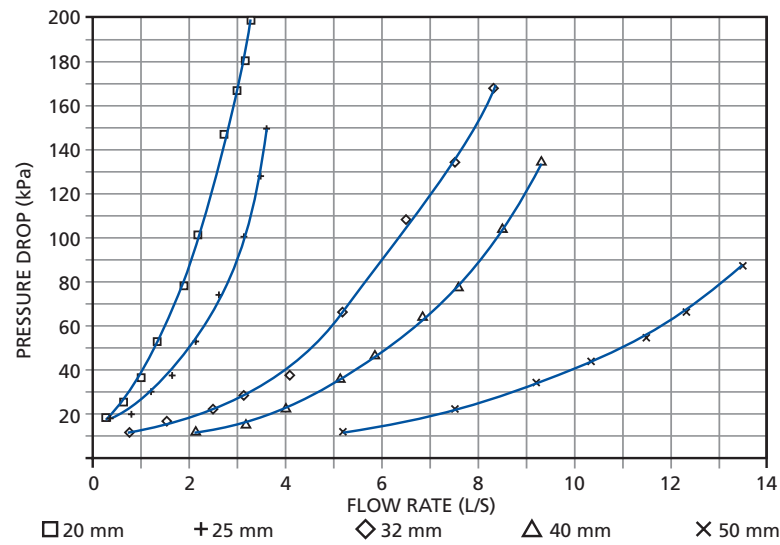


S P E C I F I C A T I O N S



Flow Rate vs Pressure Drop



Parts

No.	Description	No.	Description
1	Outlet End Cap	5	Rubber Seat
2	Spring	6	Piston
3	'O' Ring	7	Inlet End Cap
4	Body	8	Filter

Dimensions

Valve Size (mm)	Thread Size (BSP)	Dimension A (mm)	Dimension B (mm)	Dimension C (mm)
20	3/4"	84	47	127
25	1"	98	55	148
32	1 1/4"	110	62	166
40	1 1/2"	120	70	185
50	2"	150	92	224

Philmac GPS

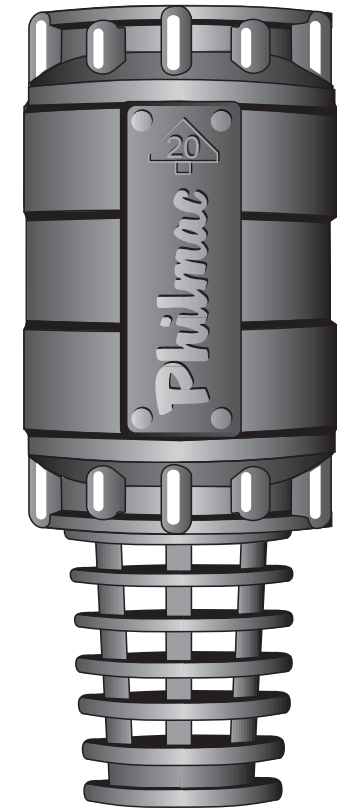
Philmac Pty Ltd 53-59 Deeds Road,
North Plympton. S.A. 5037. Australia
Telephone (08) 8300 9200 Facsimile (08) 8300 9390
Web: <http://www.philmac.com.au>

Glynwed

A Glynwed International Company

SPECIFICATION SHEET

Philmac Foot Valves & Non Return Valves



Philmac Non Return Valves and Foot Valves are designed to permit fluid flow in one direction only. The valves function over a wide range of operational pressures.

Features

- Maximum static operating pressure: 1400 kPa at 20°C.
- High flow capacity.
- Spring manufactured from 316 Stainless Steel.
- Glass reinforced engineering plastic for heavy duty service.
- Nitrile rubber seat and O rings for sealing performance.
- Parts replaceable for future servicing.
- Suitable for contact with potable water - complies with AS3855.
- Suitable for use with standard NPK agricultural fluids.
- Corrosion and UV resistant (for special applications contact your local Philmac representative.)

Installation

Can be installed either horizontally or vertically. Place below inlet of pump to prevent loss of prime.

Philmac PTFE tape is recommended on BSP threads for positive seals.

Range

Nom. Valve Size	20mm	25mm	32mm	40mm	50mm
Thread Size (FI BSP)	3/4"	1"	1 1/4"	1 1/2"	2"
Ref. No. Non-Return Valve	5022	5023	5024	5025	5026
Ref. No. Foot Valve	5012	5013	5014	5015	5016

Philmac manufacture a range of complementary fittings and valves to complete the system.

Philmac



Please note that the information, opinions, recommendations and advice given on this specification sheet are supplied only to provide an improved understanding of the technical aspects of Philmac products. So far as the law allows, Philmac Pty. Ltd. will not accept liability in respect of any loss or damage of any kind claimed to arise as a result of reliance upon any information contained on this specification sheet. Please refer to our Terms and Conditions of Supply of Goods.

LE/059/11-97